

# SPORTSMAN® BASIC, HD, AND PRO HD WINCH KIT



P/N 2884832; 2884833; 2884834

## BEFORE YOU BEGIN

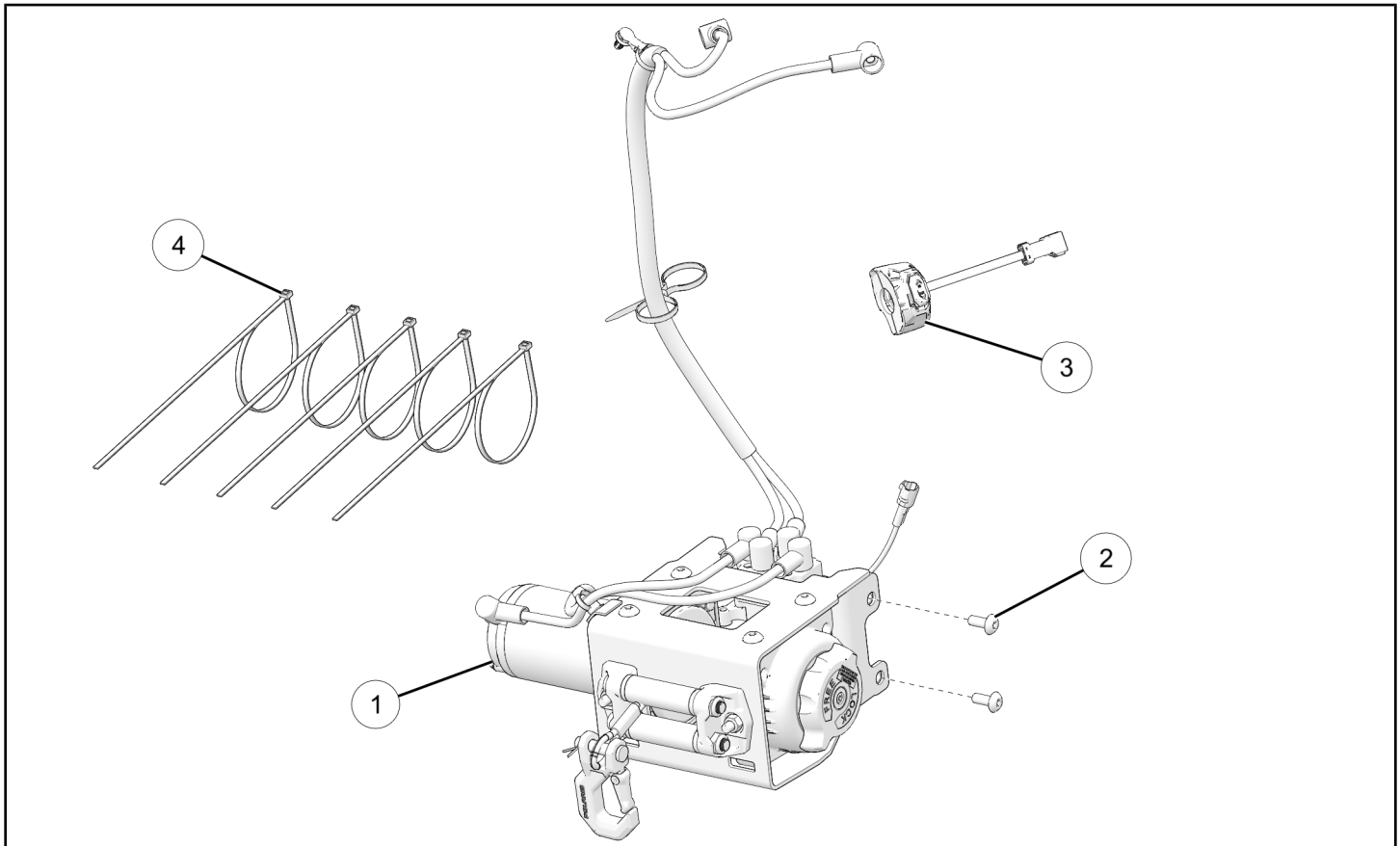
Read these instructions and check to be sure all parts and tools are accounted for. Please retain these installation instructions for future reference and parts ordering information.

## APPLICATION

Verify accessory fitment at [www.polaris.com](http://www.polaris.com).

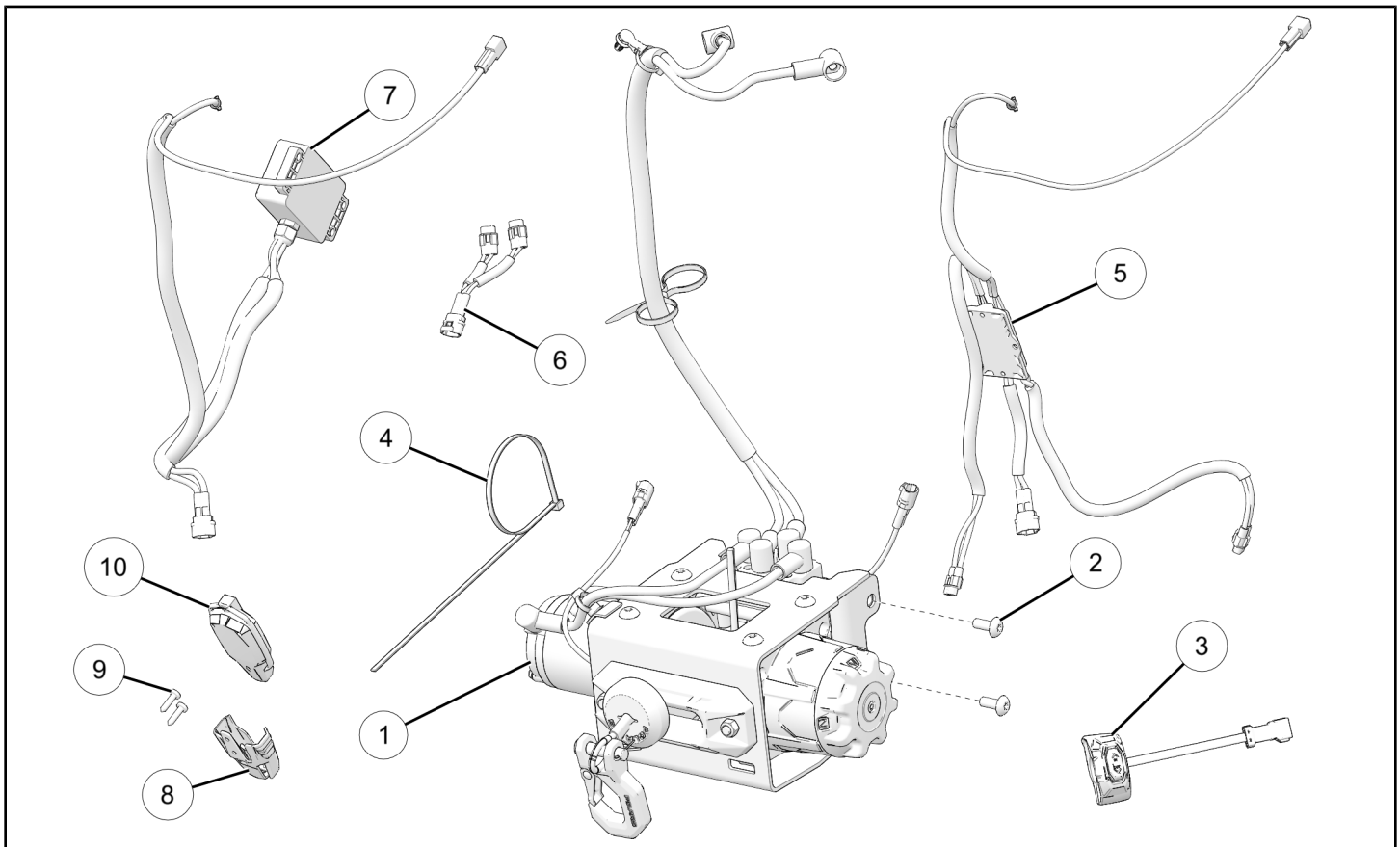
## KIT CONTENTS

**BASIC WINCH P/N 2884832; HD WINCH 2884833**



REF	QTY	PART DESCRIPTION	P/N AVAILABLE SEPARATELY
1	1	Winch Assembly (winch, bracket, harness, fairlead, rope/cable)	2638071 (Basic) 2638072 (HD)
2	4	Screw – Torx®, Truss Head, M8 x 1.25 x 20 mm	7519260
3	1	Winch Switch, Handlebar	2207175
4	5	Cable Tie	7080492
–	1	Winch Guide	9923644

## PRO HD WINCH P/N 2884834



REF	QTY	PART DESCRIPTION	P/N AVAILABLE SEPARATELY
1	1	Winch Assembly (winch, bracket, harness, fairlead, rope/cable)	2638073
2	4	Screw – Torx®, Truss Head, M8 x 1.25 x 20 mm	7519260
3	1	Winch Switch, Handlebar	2207175
4	8	Cable Tie	7080492
5	1	Fairlead Control Box	2415867
6	1	Y-Harness, Wireless Remote Switch	4017126
7	1	Wireless Winch Receiver	2414053
8	1	Wireless Remote Holder	5454269
9	2	Screw – Torx®, Self-Threading, #10 x 3/4 in	7512026
10	1	Wireless Winch Remote	4080061
–	1	Winch Guide	9923644

### TOOLS REQUIRED

- Safety Glasses
- Drill
- Drill Bit:
  - 3/16 in (3 mm)
- Pliers, Push Pin Rivet
- Pliers, Side Cutting
- Socket Set, Torx® Bit
- Torque Wrench
- Wrench Set, Metric

## IMPORTANT

Your Sportsman® Basic, HD, and Pro HD Winch Kit is exclusively designed for your vehicle. Please read the installation instructions thoroughly before beginning. Installation is easier if the vehicle is clean and free of debris. For your safety, and to ensure a satisfactory installation, perform all installation steps correctly in the sequence shown.

## INSTALLATION INSTRUCTIONS

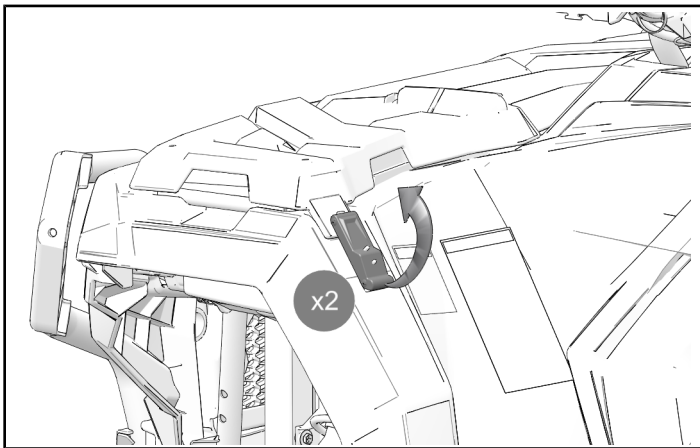
### VEHICLE PREPARATION

#### GENERAL

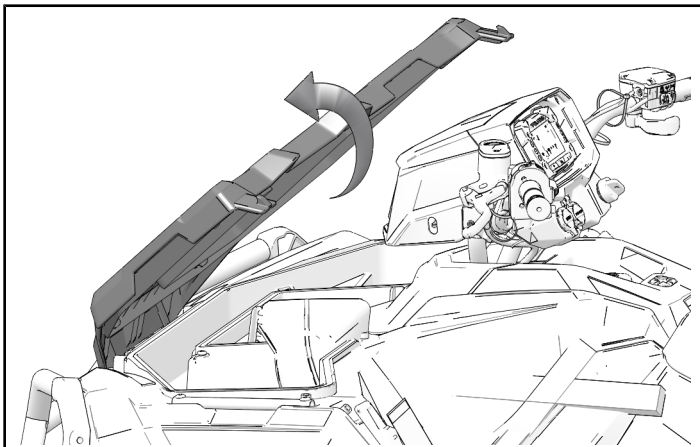
1. Park vehicle on a flat surface.
2. Push engine stop switch to OFF position.
3. Turn key to OFF position and remove key.

#### DISCONNECT BATTERY 450/570 MODELS

1. Release rubber latch on left and right sides of cargo platform.



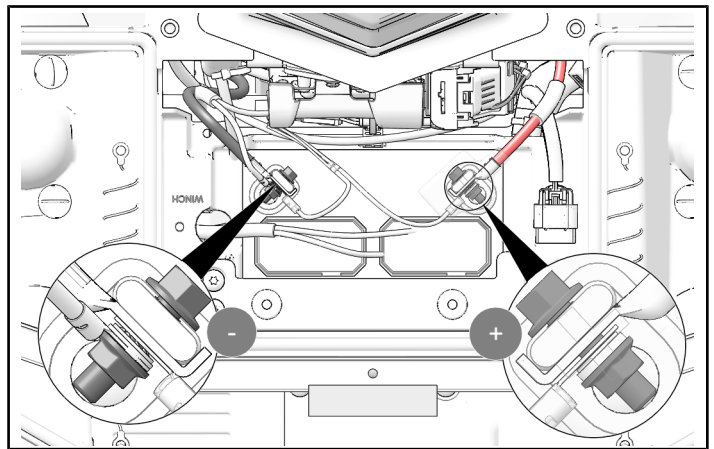
2. Open cargo platform.



3. Remove hardware from negative (-) battery cable.  
Remove hardware from positive (+) battery cable.

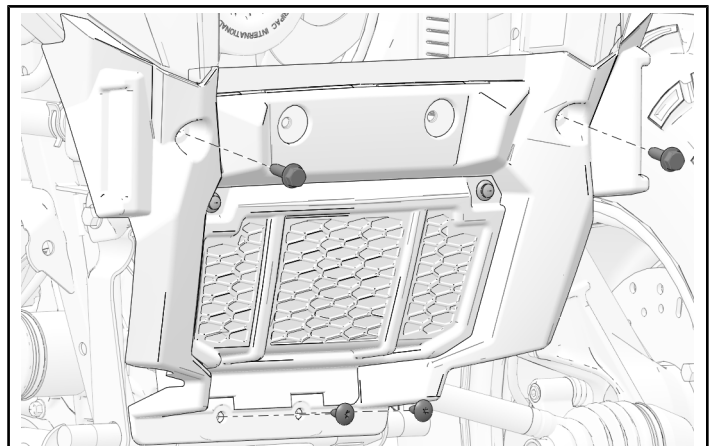
#### **⚠ WARNING**

Always disconnect black negative cable from battery first. Failure to do so can result in high current electrical arc and may result in battery explosion. Serious injury or death may occur.

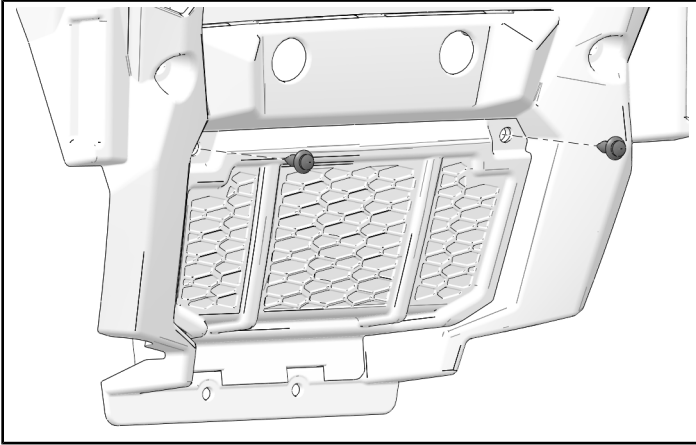


#### FRONT BUMPER COVER REMOVAL

1. Remove and keep four bolts from lower front bumper cover. Remove lower front bumper cover.



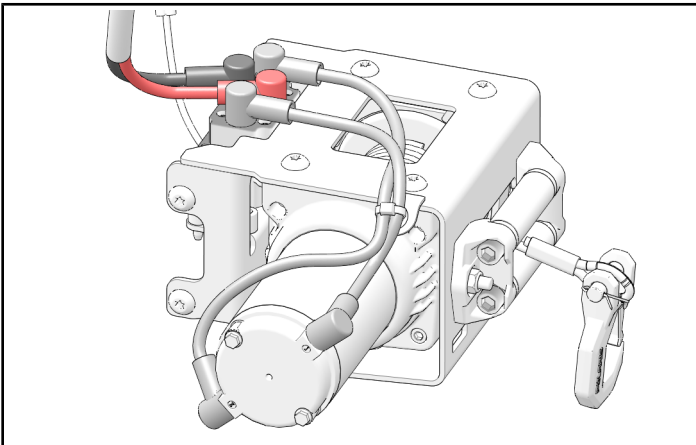
- Remove two push pin rivets from panel on front bumper cover. Remove panel.



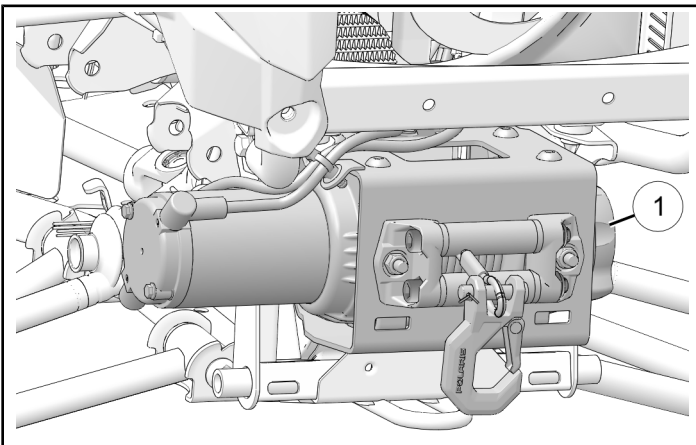
## ACCESSORY INSTALLATION

### WINCH INSTALLATION – ALL WINCHES

- Check all wire routing and connections. Make sure winch is set up as shown.



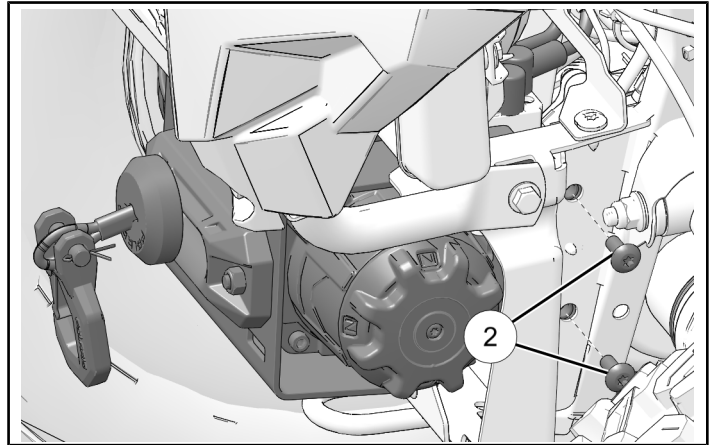
- Put red and white wires through winch opening. Put winch in position on chassis mount.



- Attach winch to chassis using four screws ②. Torque to specification.

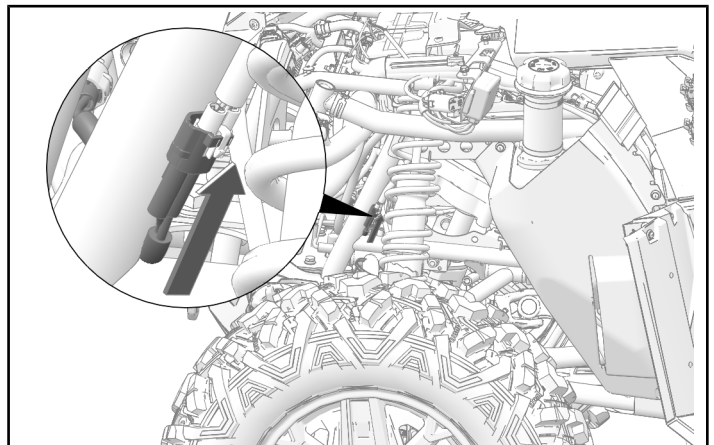
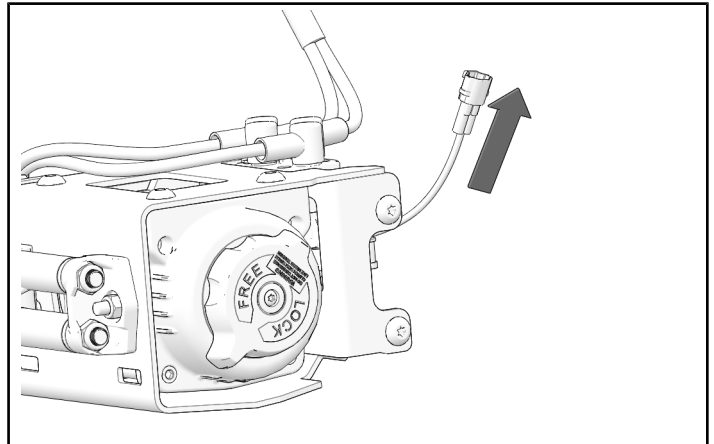
### TORQUE

Winch Mount Screws ②:  
20 ft-lbs (27 N·m)



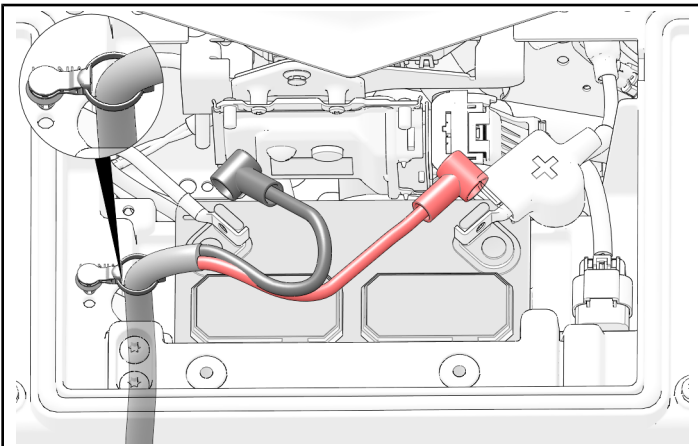
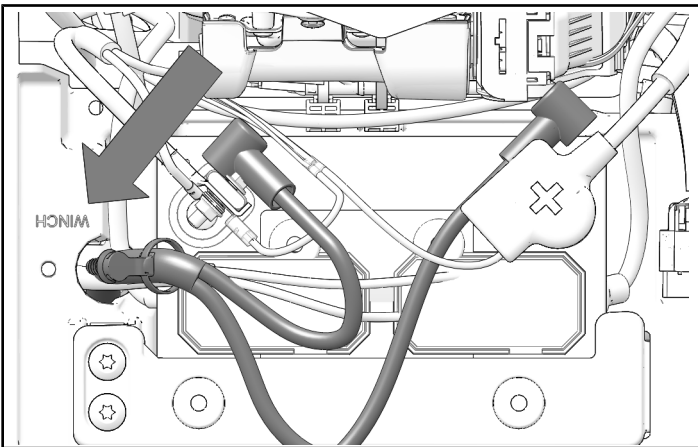
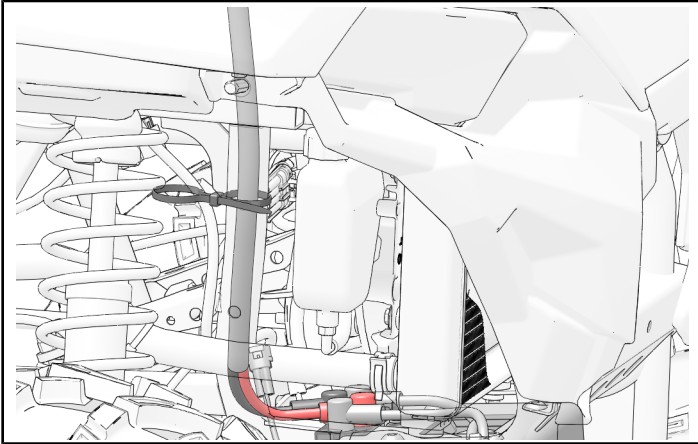
### HD WINCH CONNECTION

- Connect winch contactor to main harness chassis in area shown.



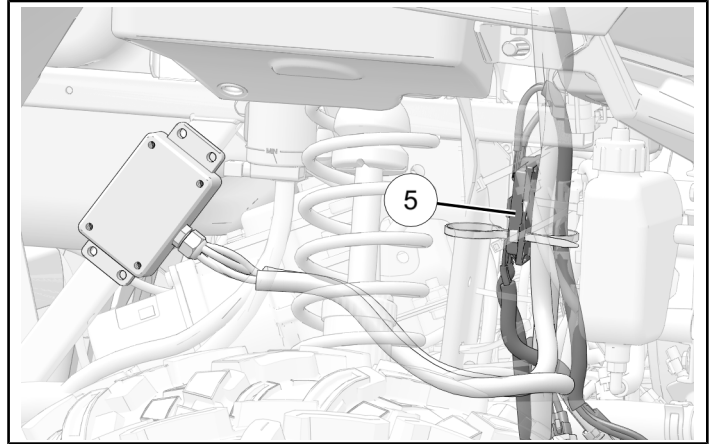


2. Route red and black wires up through opening in body panel marked "WINCH." Attach wires to body using push pin clip.

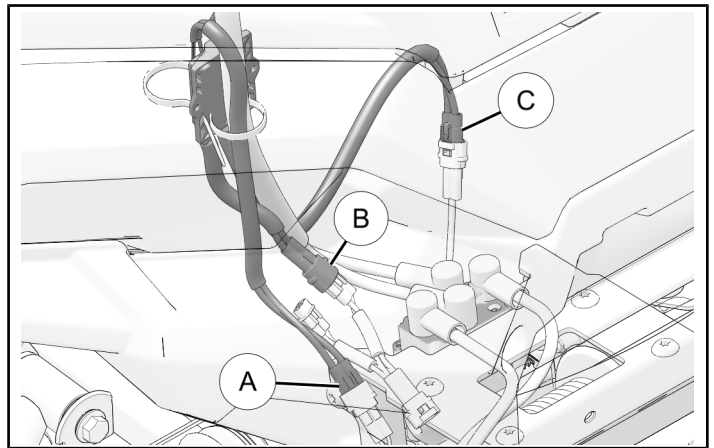


## PRO HD WINCH CONNECTION: CONTROL BOX INSTALLATION

1. Attach control box ⑤ to red and black winch cables using cable ties.



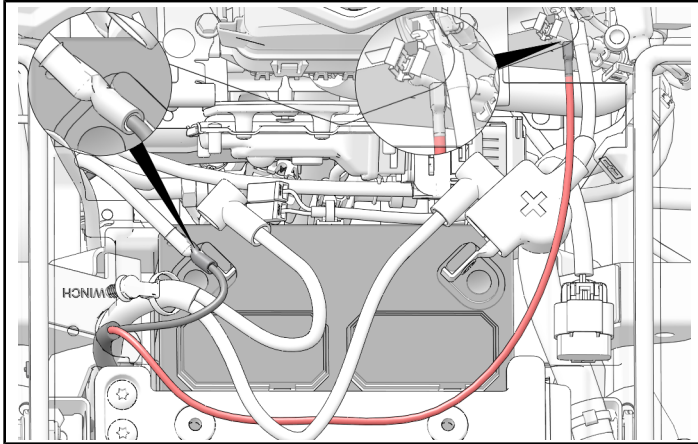
2. Connect longest white female control box connector ① to Autostop fairlead. Connect white male connector ② to the Y harness. Connect white female connector ③ to the contactor.



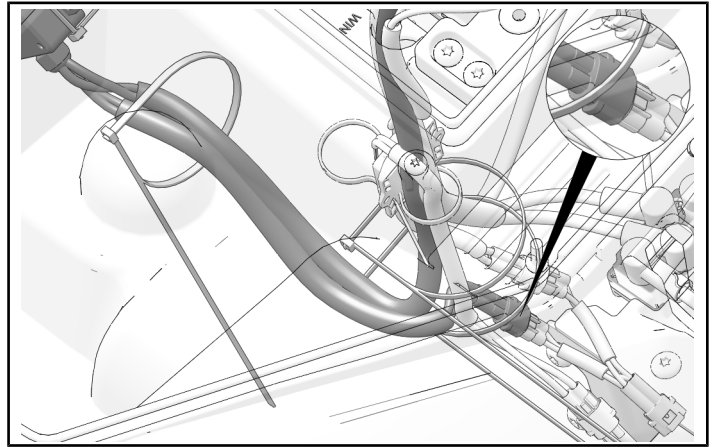
- Route power wires for the Autostop control to battery area and connect orange wire to orange wire on the vehicle's main wire harness. Put black wires from control box to black (ground) terminal area.

**IMPORTANT**

Do not connect wires at this time.



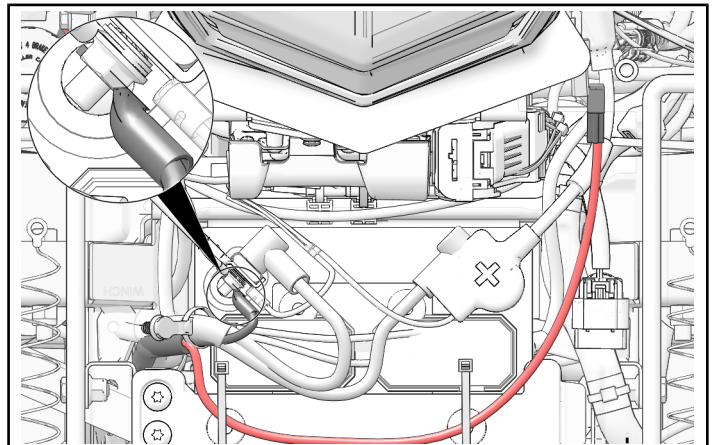
- Connect white electrical connector to Y harness.



- Route power wires for remote receiver to battery area and connect orange wire to orange wire on vehicle main harness. Route black wires from remote receiver to black terminal area.

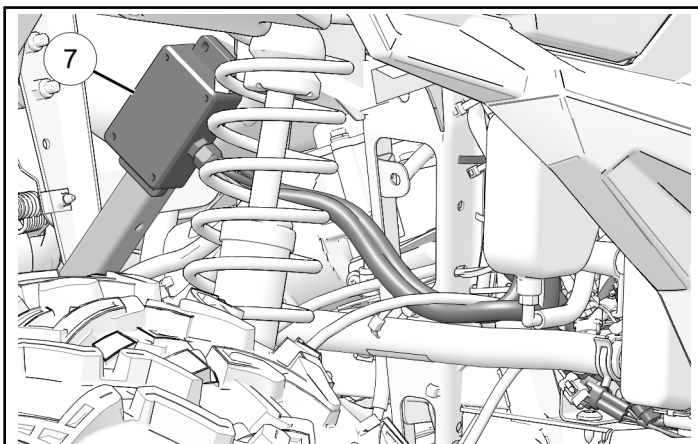
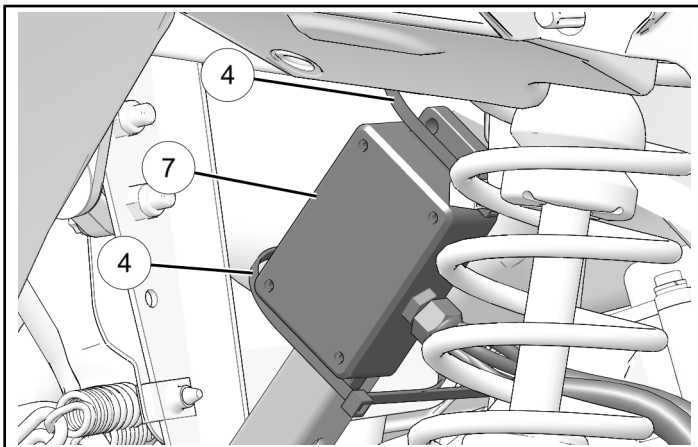
**IMPORTANT**

Do not connect wires at this time.



**PRO HD WINCH CONNECTION: WIRELESS REMOTE RECEIVER INSTALLATION**

- Install wireless remote box (6) onto cab support bracket using two cable ties (4).

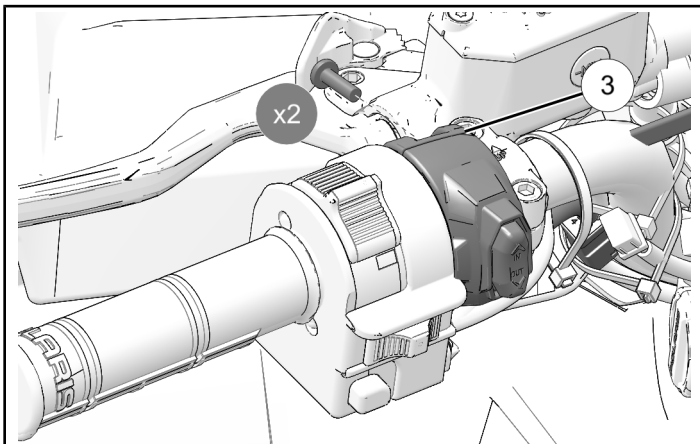


## HANDLEBAR SWITCH INSTALLATION – ALL WINCHES

1. Install handlebar switch ③ to handlebar with two screws. Torque to specification.

### TORQUE

Handlebar Screw:  
**24 in-lbs (2.7 N·m)**



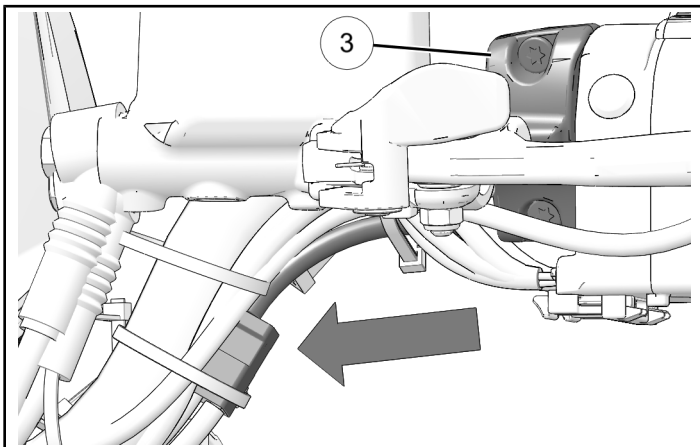
2. Connect handlebar switch ③ connector to vehicle main wire harness.

### TIP

The cap on the vehicle connector must be removed before connecting winch switch.

### NOTICE

Vehicle main wire harness connector is either attached to the handlebars where it can be seen or will be inside the headlight pod where it cannot be seen.



## PRO HD WINCH WIRELESS REMOTE HOLDER INSTALLATION

1. Use wireless remote holder to mark two holes for drilling. Drill holes.

### IMPORTANT

Make sure no fuel or electrical connections are at risk of being contacted by the mounting screws.

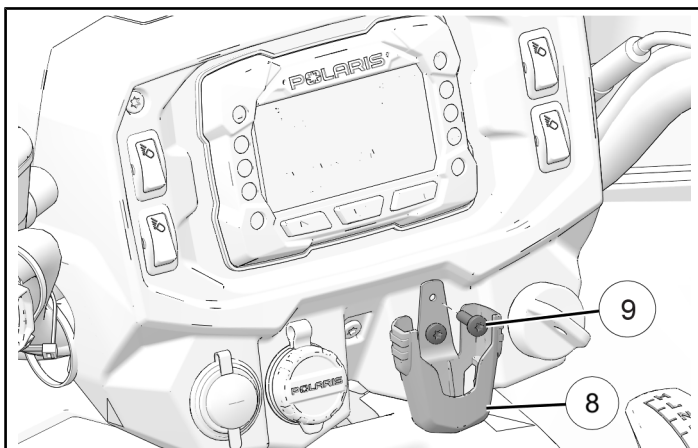
### MEASUREMENT

Drill Bit Size:  
**3/16 in (3 mm)**

2. Install wireless remote holder ⑧ with two screws ⑨.

### TIP

Location shown is a suggestion. Wireless remote holder may be installed in other locations. Make sure no fuel or electrical connections are at risk of being contacted by the mounting screws before drilling.



## CONNECT WINCH WIRING

### TIP

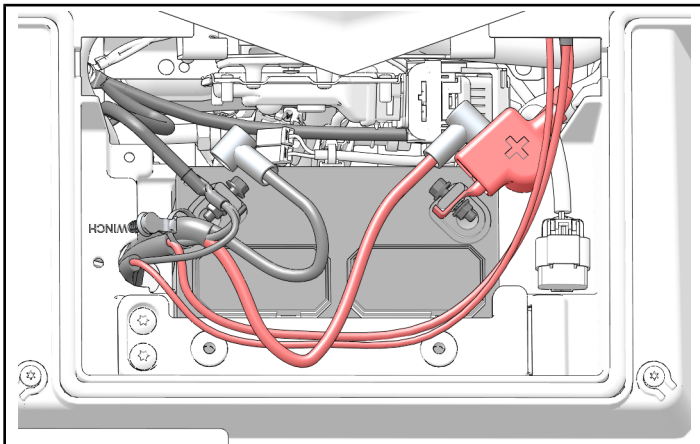
Put the winch wire through the opening in the electrical boot that covers the main vehicle power wire.



1. Connect all red (positive) wires to the positive battery terminal. Connect all black (negative) wires to the negative battery terminal.

#### TORQUE

Battery Bolt:  
**60 in-lbs (6 N·m)**



2. Make sure there are no exposed wires or terminals. Tightly bind all loose wires and attach away from moving parts and heat sources.

#### IMPORTANT

Make sure all connections have been properly made by operating the winch with the handlebar control.

- Use the control to feed a small length of rope out, then back in. On Pro HD winch, verify that the Autostop turns off the winch when the black rubber stopper arrives at the fairlead.
- Turn on wireless remote by holding down power button until red light on remote turns on. Repeat function test using the wireless remote.
- If handlebar switch, wireless remote, or Autostop do not function as intended, review instructions and verify proper connection of components.

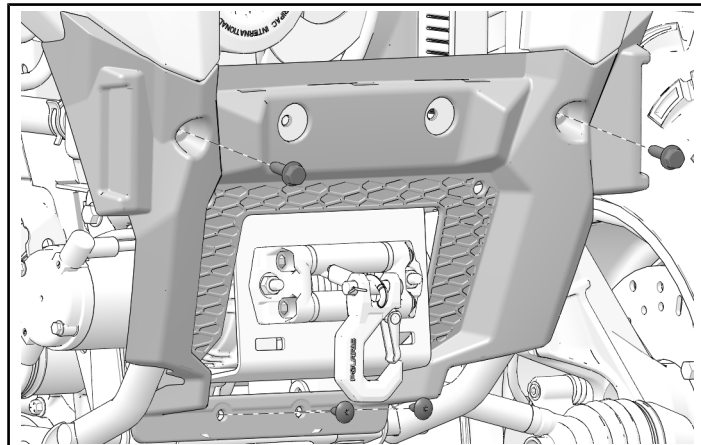
## VEHICLE REASSEMBLY

### GENERAL

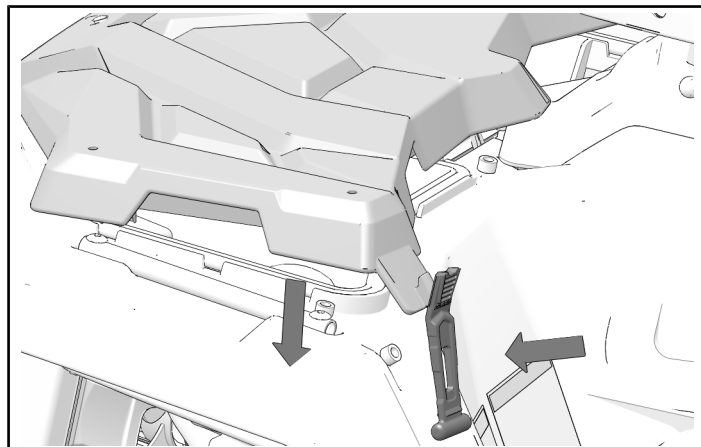
1. Install front bumper cover with four fasteners. Tighten lower fasteners until seated. Torque upper fasteners to specification.

#### TORQUE

Upper Bumper Cover Fastener:  
**79 in-lbs (9 N·m)**

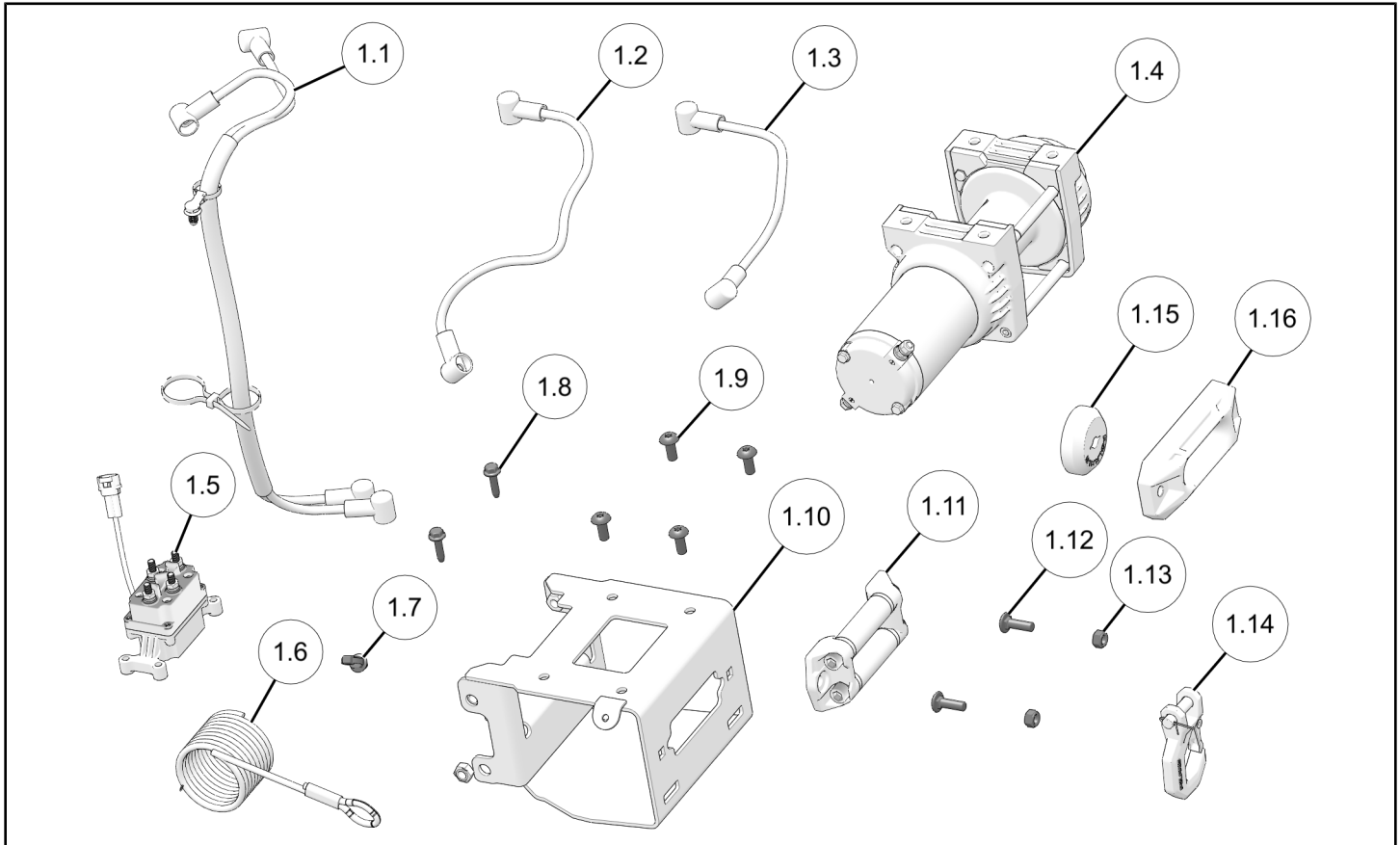


2. Close front rack and attach two rubber latches.



# SERVICE KIT CONTENTS

## BASIC WINCH P/N 2884832; HD WINCH P/N 2884833 WINCH DETAIL

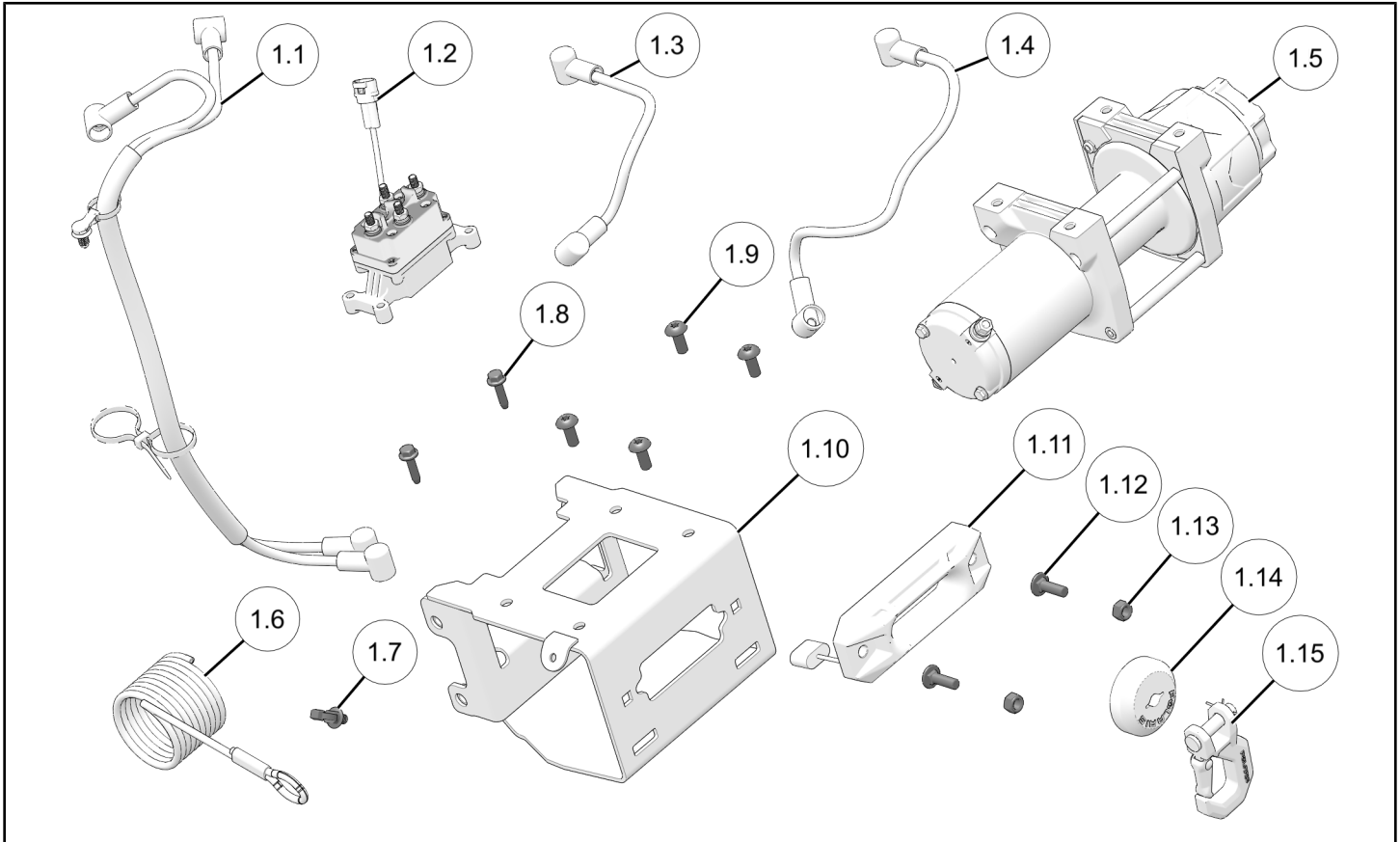


REF	QTY	PART DESCRIPTION	P/N AVAILABLE SEPARATELY	AVAILABLE SERVICE KIT
1.1	1	Assembly - Winch Harness	2415675	n/a
1.2	1	Winch Cable, Blue 6 GA, 410 mm	4013469-410	n/a
1.3	1	Winch Cable, Yellow 6 GA, 300 mm	4013468-300	n/a
1.4	1	Winch, 2500 lb, BT (2884832 only) Winch, 3500 lb, BT (2884833 only)	2206563 2206562	n/a
1.5	1	Winch Contactor	4015095	n/a
1.6	1	Winch Cable, Steel, 3/16 in (2884832 only) Winch Rope, Synthetic 50 ft (2884833 only)	2878890 2878888	n/a
1.7	1	Routing Clip	7081496	n/a
1.8	2	Screw - Hex Head Flange, M6 x 1.0 x 25 mm	n/a	2208932
1.9	4	Screw - Torx® Truss Head, M8 x 1.25 x 20 mm	n/a	2208932
1.10	1	Weld - Bracket, Winch Mount	n/a	n/a
1.11	1	Assembly - Fairlead, Roller, LowPro (2884832 only)	2638130	n/a
1.12	2	Bolt - Carriage, Round Head, M8 x 1.25 x 25 mm	n/a	2208932
1.13	2	Nut - Nylock, M8 x 1.25 mm	n/a	2208932



REF	QTY	PART DESCRIPTION	P/N AVAILABLE SEPARATELY	AVAILABLE SERVICE KIT
1.14	1	Hook - Latch, Winch	5910705	n/a
1.15	1	Stop-Bumper (2884833 only)	5416562	n/a
1.16	1	Fairlead (2884833 only)	5143231	n/a

## PRO HD WINCH P/N 2884834 WINCH DETAIL



REF	QTY	PART DESCRIPTION	P/N AVAILABLE SEPARATELY	AVAILABLE SERVICE KIT
1.1	1	Assembly - Winch Harness	2415675	n/a
1.2	1	Winch Contactor	4015095	n/a
1.3	1	Winch Cable, Blue 6 GA, 410 mm	4013469-410	n/a
1.4	1	Winch Cable, Yellow 6 GA, 300 mm	4013468-300	n/a
1.5	1	Winch 3500 lb, Dual Speed	2206383	n/a
1.6	1	Winch Rope, Synthetic 50 ft	2878888	n/a
1.7	1	Routing Clip	7081496	n/a
1.8	2	Screw - Hex Head Flange, M6 x 1.0 x 25 mm	n/a	2208932
1.9	4	Screw - Torx® Truss Head, M8 x 1.25 x 20 mm	n/a	2208932
1.10	1	Weld - Bracket, Winch Mount	n/a	n/a
1.11	1	Assembly - Fairlead	n/a	2889253

REF	QTY	PART DESCRIPTION	P/N AVAILABLE SEPARATELY	AVAILABLE SERVICE KIT
1.12	2	Bolt - Carriage, Round Head, M8 x 1.25 x 25 mm	n/a	2208932
1.13	2	Nut - Nylock, M8 x 1.25 mm	n/a	2208932
1.14	1	Stop - Magnet Bumper V2	5415787	2889253
1.15	1	Hook Latch, Winch	5910705	n/a

## INSTRUCTION FEEDBACK FORM

A feedback form has been created for the installer to provide any comments, questions or concerns about the installation instructions. The form is viewable on mobile devices by scanning the QR Code® or by clicking [HERE](#) if viewing on a PC.

