

Replacement Key Information

ATV/RANGER/RZR Replacement Keys

We only offer key blanks that can be cut using an existing key. If both keys have been lost, you will need to replace the ignition.

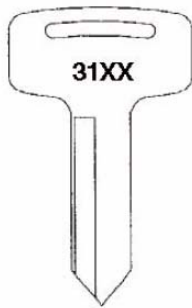
Phoenix and Youth ATV Blank Key Part numbers:

Part# 0453143 RH Groove, 0453372 LH Groove

Groove is determined when holding the key, ready to put into ignition.

RH is right hand, LH is left hand

RANGER/RZR/ATV: To identify which series the key is, take the first two digits on the original key and refer to the chart below for the proper part number. The part number for 31 is part # 4110141. That is the number that you would need to order the blank key. For 4000 series blanks, reference all 4 digits stamped on the blank.



Key Numbers

Series	Part Number
20__	4010278
21__	4010278
22__	4010321
23__	4010321
27__	4010321
28__	4010321
31__	4110141
32__	4110148
67__	4010278
68__	4010278
4000-4149	4015704
4150-4299	4015705

RANGER EV Keys

MY10 EV uses same key blanks as ATV/RANGER/RZR

4013330-Key Blank, EV RNGR (MY11 and newer)

This Key is a RH cut key (has the bottom groove on the Right side)

4013343-Key blank, LSV RNGR (MY11 and newer)

This Key is a LH cut key (has the bottom groove on the Left side)

Key Cover

Fits all RANGER/RANGER EV/RZR/Breeze & ATV products (except youth and Series 99 RANGER).



**Key Cover
5433534**

Series 99 RANGER 6x6 models used a square style key. The square style keys are identified by one or more dots on the key. The dots correspond to letter codes, the letter code is the last digit of the part number. The ignition switch body will also have a letter code on the underside if the keys are not available.



1 Dot	5410611-A
2 Dots	5410611-B
3 Dots	5410611-C
4 Dots	5410611-D
5 Dots	5410611-E

2016 GEM e2, e4, e6 and eL XD

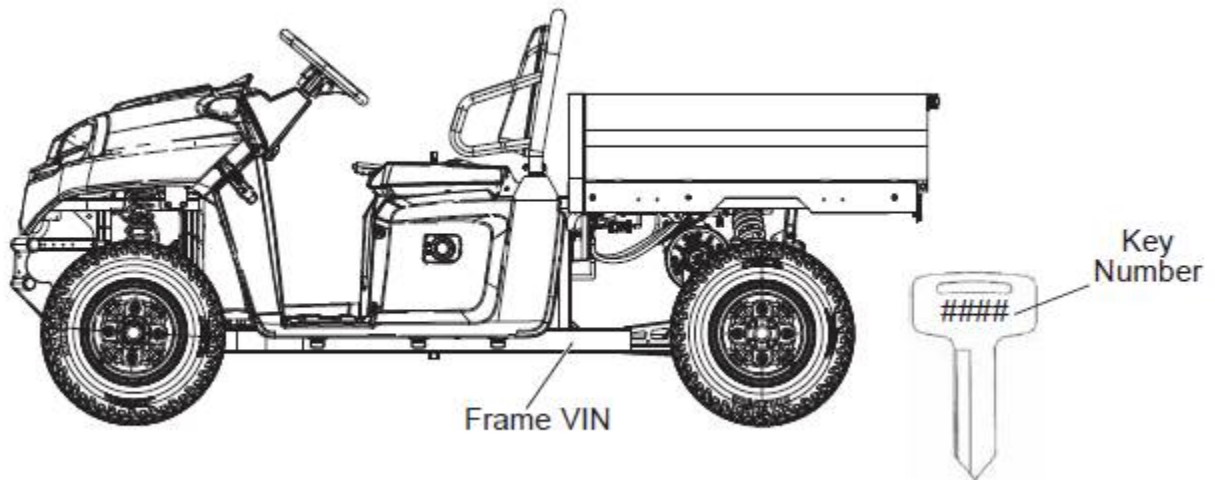
We only offer key blank part number 4016506 that can be cut using an existing key. If both keys have been lost, the ignition will need to be replaced.

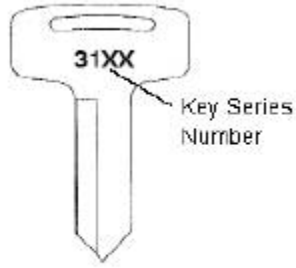
2016 Classic GEM, 2015 and Prior e2, e4, e6, eS, eL and eLXD

For replacement keys contact Midwest Security products at 800-767-6894. You will need to provide them with the key code which is stamped on the original key and lock cylinder.

GEM eM1400, eM1400 LSV and Polaris M1400

To order an extra or replacement key for your vehicle, please contact GEM customer service. Be prepared to provide your key number and VIN. A key can be duplicated only by ordering a key blank (using your key number) and mating it with one of your existing keys. To identify which series the key is, take the first two digits on the original key and refer to the chart below. The key switch must be replaced if all keys are lost.





SERIES#	PART NUMBER
20	4010278
21	4010278
22	4010321
23	4010321
27	4010321
28	4010321
31	4110141
32	4110148
67	4010278
68	4010278

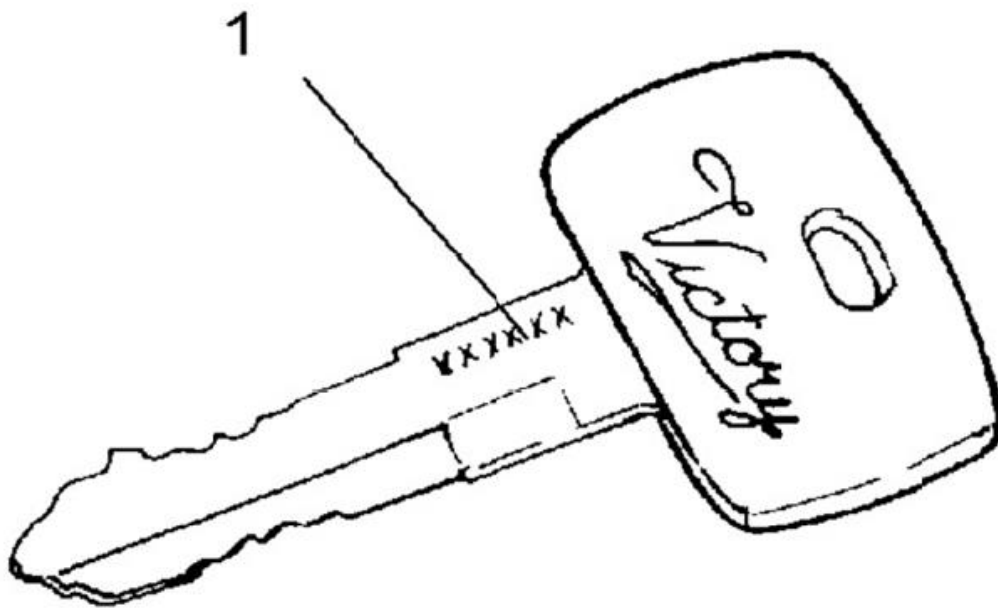
Victory Replacement Keys

The key identification number (1) is stamped on the key blade. If the key and the identification number are lost or misplaced, the lock set (contains ignition switch, fuel cap and saddlebags/trunk if equipped) must be replaced. Key blanks are available as service parts. Locksmiths familiar with the motorcycle industry will be able to cut a replacement key with either the original key or key I.D. number and a Victory key blank.

1999-2007 Victory motorcycles use key blank 4110239

2008-2013 Victory motorcycles, except Vision, use key blank 4110239

2008-2013 Victory Vision uses key blank 4012155



Indian Replacement Keys

2009-2013

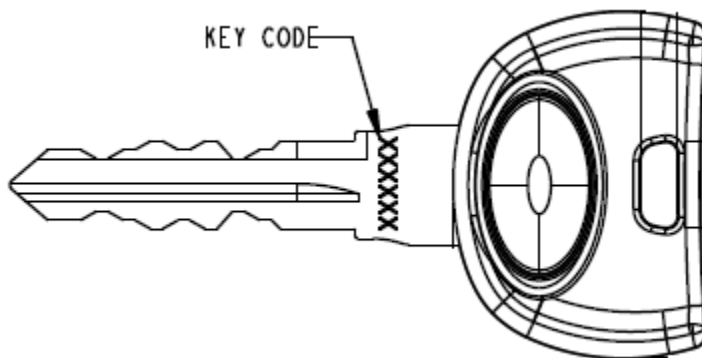
We only offer pre-cut keys for Indian Motorcycle, 2009-2013, and they are ordered using the code on the key. If both keys have been lost, the ignition will need to be replaced.

The code will have multiple numbers, look for the "A" followed by a 1 or 2 digit #. The key is ordered according to this number using the prefix N611010 followed by the numbers after the A. For example "A12" would be part # N61101012.

The Indian Key cover is part number N61100006

2014-Current

Key Blank Identification: The key number is stamped on the bow of the key as indicated in the image below. The proper replacement key is determined by the first digit of the key code. For example for key code 0221, the 0 would indicate keyway "0". Referencing key code 1221, the 1 would indicate keyway "1". If both keys are lost or misplaced, the lock set must be replaced.



Vintage/Chieftian/Roadmaster saddlebag, trunk and steering lock

2206057 Key code 0

2206196 Key code 1

Scout

5258212 (common blank)

Slingshot Replacement Key

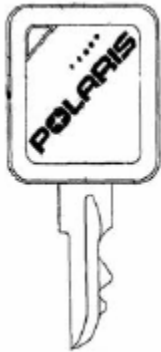
Replacement key blank for all Slingshot models: 5261286

Snowmobile Replacement Keys

We only offer key blanks that can be cut using an existing key. If both keys have been lost, the ignition will need to be replaced

Keys are available for all Snow products. A key code "dot system" is used. Match the dot code from the original key.

This is a square style key. The square style keys are identified by one or more dots on the key. The dots correspond to letter codes, the letter code is the last digit of the part number. The ignition switch body will also have a letter code on the underside if the keys are not available



1 Dot	5410611-A
2 Dots	5410611-B
3 Dots	5410611-C
4 Dots	5410611-D
5 Dots	5410611-E